

CLEARGLAZE
FEELS LIKE HOME

BETTER QUALITY
FITTED **BETTER**



THE HERITAGE RANGE

ALUMINIUM WINDOWS & DOORS

Authentic & Stylish
The **Heritage Range**
of Windows and Doors



Our Heritage Range is a bespoke selection of windows & doors that combine the benefits of modern high performance double glazing with traditional style. All of our aluminium products are bespoke with a range of cosmetic enhancements to reproduce your current homes period charm.

We work hard to provide some of the best products on the market with exclusive features and all at affordable prices. Our bespoke products can replicate any design* you require for your project, be it a look, design, style, glass or colour.

*Within the guidelines of our products specifications and min / max sizes etc.

We reserve the right to make changes to the product specification as technical developments dictate, and without prior notice. Pictures shown are for illustrative purposes and are not binding in detail, colour or specification.

E. & O.E.

Contents

Windows

| | |
|-------------------------|------|
| The Royale Stepped | 3-4 |
| The Royale Putty-line | 5-6 |
| The Heritage Stepped | 7-8 |
| The Heritage Putty-line | 9-10 |
| Hardware | 11 |
| Glass Options | 12 |

Doors

| | |
|------------------|----|
| Heritage Stepped | 13 |
| Balcony | 14 |



The Royale

Stepped Window



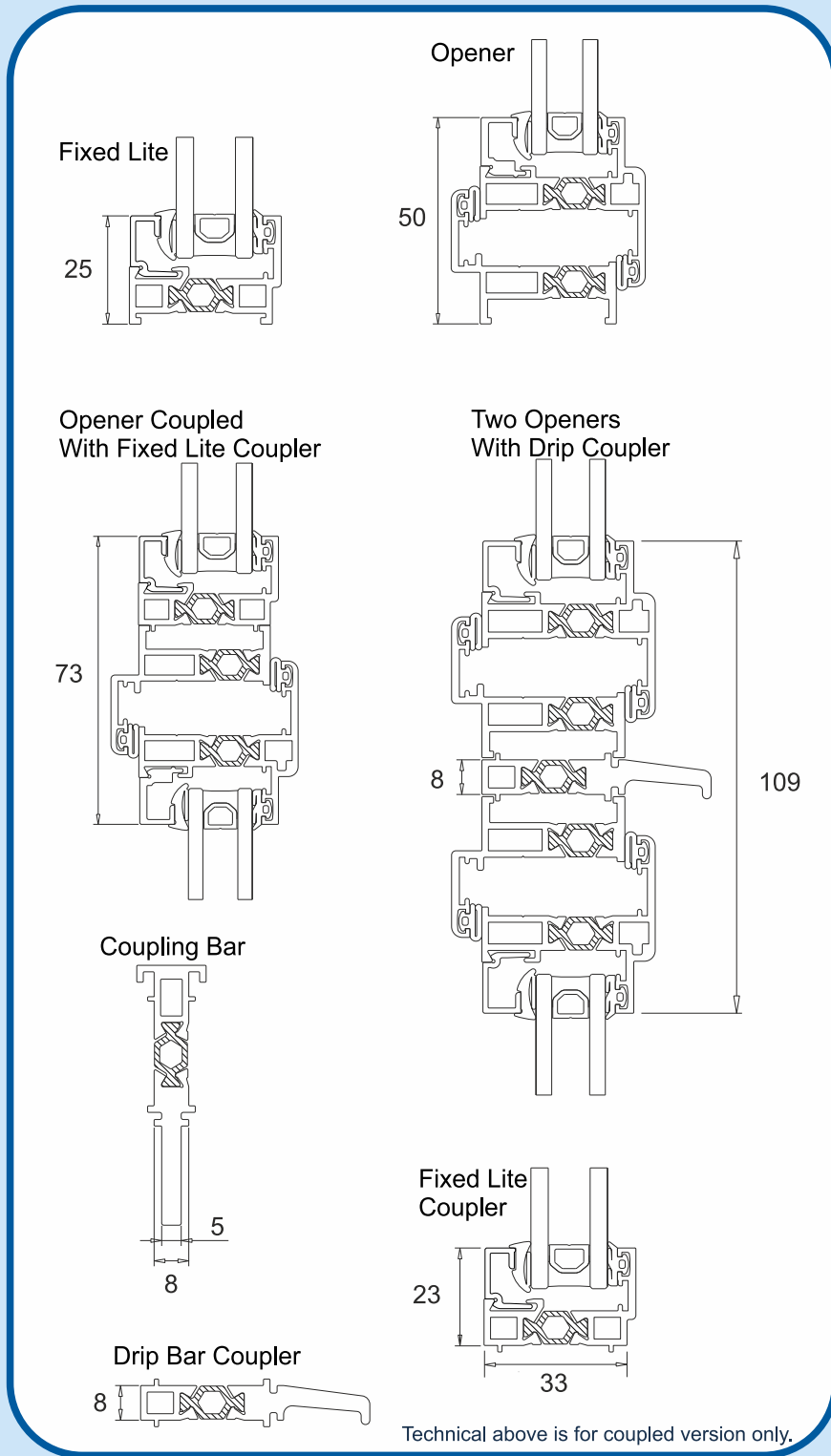
At just 33mm front to back, our Royale Steel Replacement Windows are one of the slimmest thermally broken aluminium window systems on the market. With slim profiles replacing steel windows has never been easier - with no cutting back of plaster, brick or wooden sub-frames, speeding up installation times and reducing costs.

Our Royale Windows use the latest 'Polyamide' in-line thermal break, which makes them highly thermally efficient. High performance glass filled with Krypton gas is used to provide maximum thermal efficiency. The window is not only thermally efficient, but it is also highly secure, with modern high security locking.

Features

- The perfect affordable replacement for old steel windows.
- Available with coupled or transom construction options.
- Slim thermally broken aluminium profiles with a depth of just 33mm.
- Maintenance free aluminium.
- Ease of installation - no need to cut back plaster, brick or existing subframes.
- Can be installed into existing or new timber subframes or direct to brick.
- Ultra slim sight-lines.
- Highly secure with modern shoot bolt locking.
- All glazed with high specification, Diamant / Planitherm Total+, Krypton gas filled double glazed sealed units.
- Uses the latest in-line Polyamide break to achieve excellent thermal performance.
- Suitable for use in period properties, listed buildings, heritage and conservation areas.
- Standard colours include White, Black or dual Black Out White In (all matt finish)
- Also available in over 200 single or dual RAL colours.

Technical



Slim & Authentic Look



Royale Windows With Leads



High Quality Hardware



Original Wood Frames With Leads



Modern Multi Point Locking

Performance

| | | | |
|-------------------|------------------|-----------------|-----------------|
| WER | Air Permeability | Water Tightness | Wind Resistance |
| B Rated | 600 Pa | 900 Pa | 2000 Pa |

The Royale

Putty-Line Window



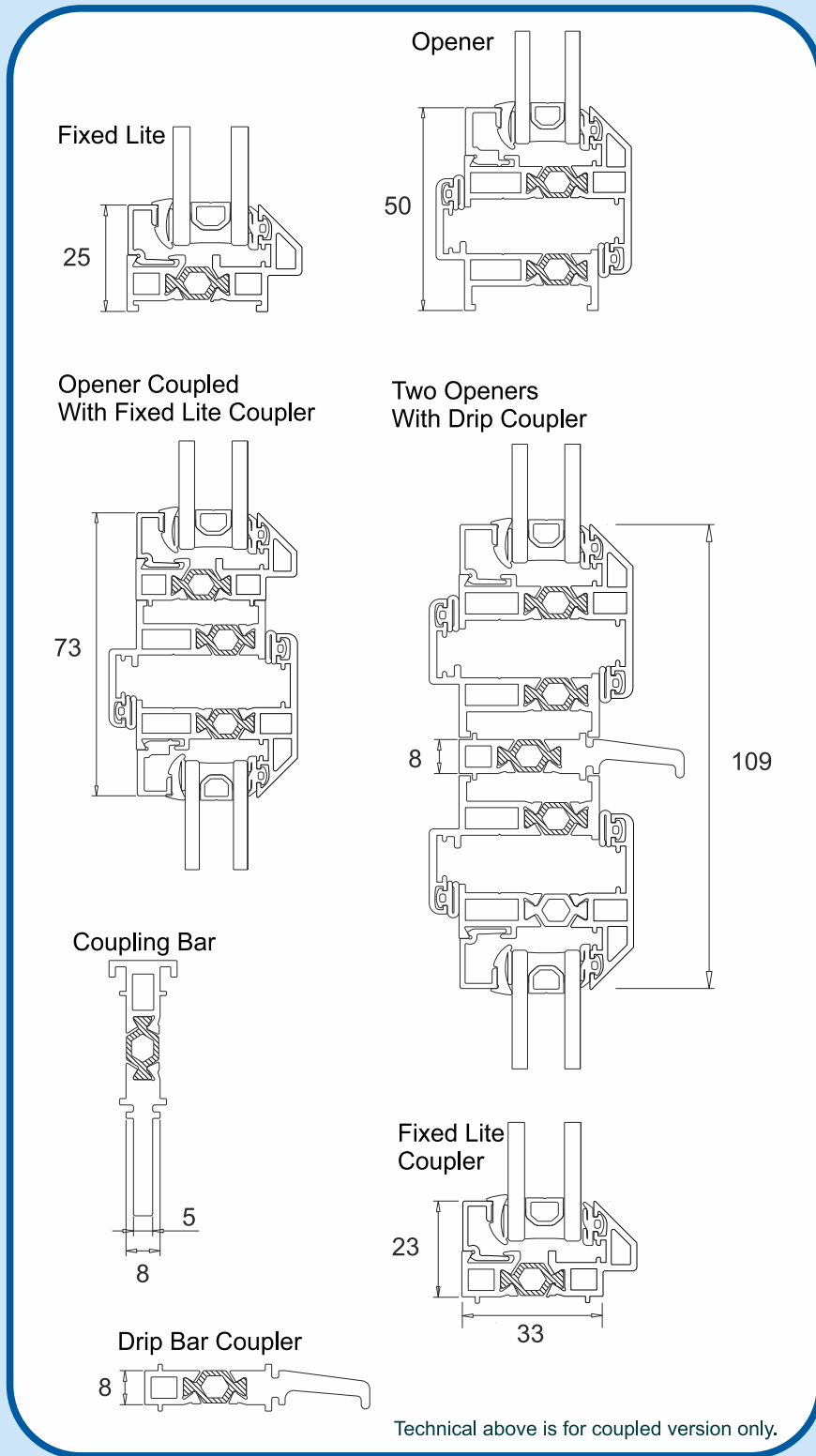
Our Royale Putty-line Steel Replacement Windows are an evolution of our Royale stepped windows. They are also one of the slimmest thermally broken aluminium windows on the market designed to replicate traditional putty glazed steel windows. They are perfect for replacement and refurbishment projects, are highly secure, thermally efficient and cost much less than actual steel windows.

The outerframe is just 33mm front to back, allowing you to easily replace steel windows without having to cut back the plaster, brick or existing wooden sub-frames, speeding up installation times and reducing costs. These windows use the latest in-line 'Polyamide' thermal break technology, as well as high performance glass filled with Krypton gas to provide maximum thermal efficiency, without compromising on aesthetic appearance.

Features

- The perfect affordable replacement for traditional putty glazed old steel windows.
- Available with coupled or transom construction options.
- Slim thermally broken aluminium profiles with a depth of just 33mm.
- Maintenance free aluminium.
- Ease of installation - no need to cut back plaster, brick or existing subframes.
- Can be installed into existing or new timber subframes or direct to brick.
- Ultra slim sight-lines.
- Highly secure with modern locking.
- All glazed with high specification, Diamant / Planitherm Total+, Krypton gas filled double glazed sealed units.
- Uses the latest in-line Polyamide break to achieve excellent thermal performance.
- Suitable for use in period properties, listed buildings, heritage and conservation areas.
- Standard colours include White, Black or dual Black Out White In (all matt finish)
- Also available in over 200 single or dual RAL colours.

Technical



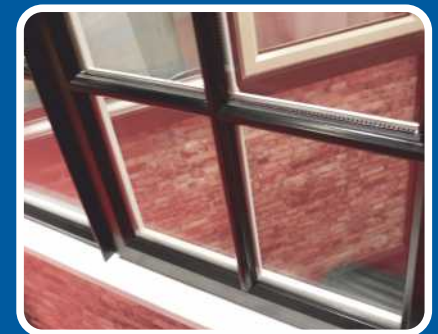
Authentic Putty-Line Effect



Range Of Over 200 Colours



High Quality Hardware



Replica A-Shaped Astragal Bars



Dummy Parliament Hinges

Performance

| | | | |
|-------------------|------------------|-----------------|-----------------|
| WER | Air Permeability | Water Tightness | Wind Resistance |
| B Rated | 600 Pa | 900 Pa | 2000 Pa |

The Heritage Stepped Look Window



The Heritage stepped look window system is a thermally efficient replacement for steel windows. These stepped windows use the latest technology and are still a fraction of the cost of steel windows. Our Heritage windows use a modern 'Polyamide' thermal break giving them an excellent thermal performance.

Now you can easily and affordably replace your old, single glazed, rusty steel windows with non-rusting, secure, steel look-a-like windows with modern energy efficient double glazing. What's more you can do so without compromising the character of your period property.

Our slim-line profile emulates the look and feel of traditional steel windows. Whether they are combined with new or original hardwood frames, or fitted directly to brick, these windows can be made to replicate your existing windows.

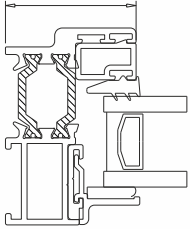
Features

- Slim-line 47mm 'Polyamide' thermally broken, non-rusting aluminium profile.
- Outer frame: 36mm; Outer frame - Sash: 56/59mm.
- Modern multi-point locking options including Chelton Secure™.
- Traditional furniture options.
- Standard colours include White (gloss), Black (matt) or dual Black (matt) Out White (gloss) In.
- Also available in over 200 single colours or dual RAL colours.
- Range of textured colours available.
- Can be supplied unglazed or glazed for 24mm sealed units.
- Planitherm Total +, Argon gas used as standard.
- Vents are internally glazed for security and ease of installation.
- Trickle vents available in head extension.
- Optional dummy vents for matching internally glazed fixed lites.
- Complies to building regulations for replacement projects.

Technical

Fixed Lite

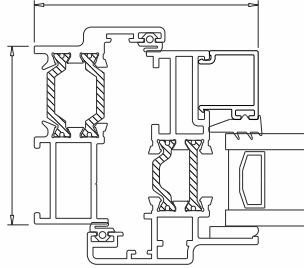
36



Opener

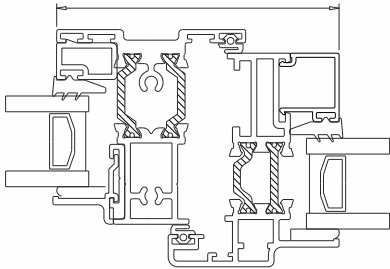
59

47



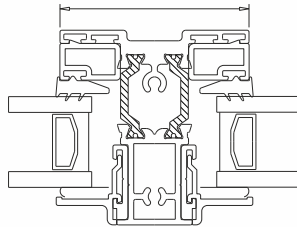
Fixed Next To Opener

76



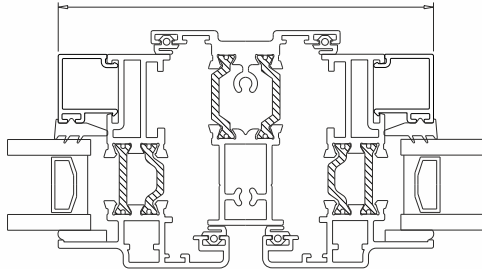
Fixed Next To Fixed

50



Two Openers with Transom

100



Working Or Dummy Butt Hinges



Secure Night Vent Facility



Astragal Bars



Variety Of Styles & Combinations



Authentic & Stylish Looks

Performance

WER



Air Permeability



Water Tightness



Wind Resistance



The Heritage Putty-Line Window



With their authentic 45° angled putty-line design our Putty-Line windows are the perfect solution for replacing old putty glazed steel windows. The window has been specially designed to replicate the appearance of traditional putty glazed windows, whilst offering superior security, weather and thermal performances. They use a 'Polyamide' thermal break and double glazed Argon filled sealed units to achieve excellent thermal values.

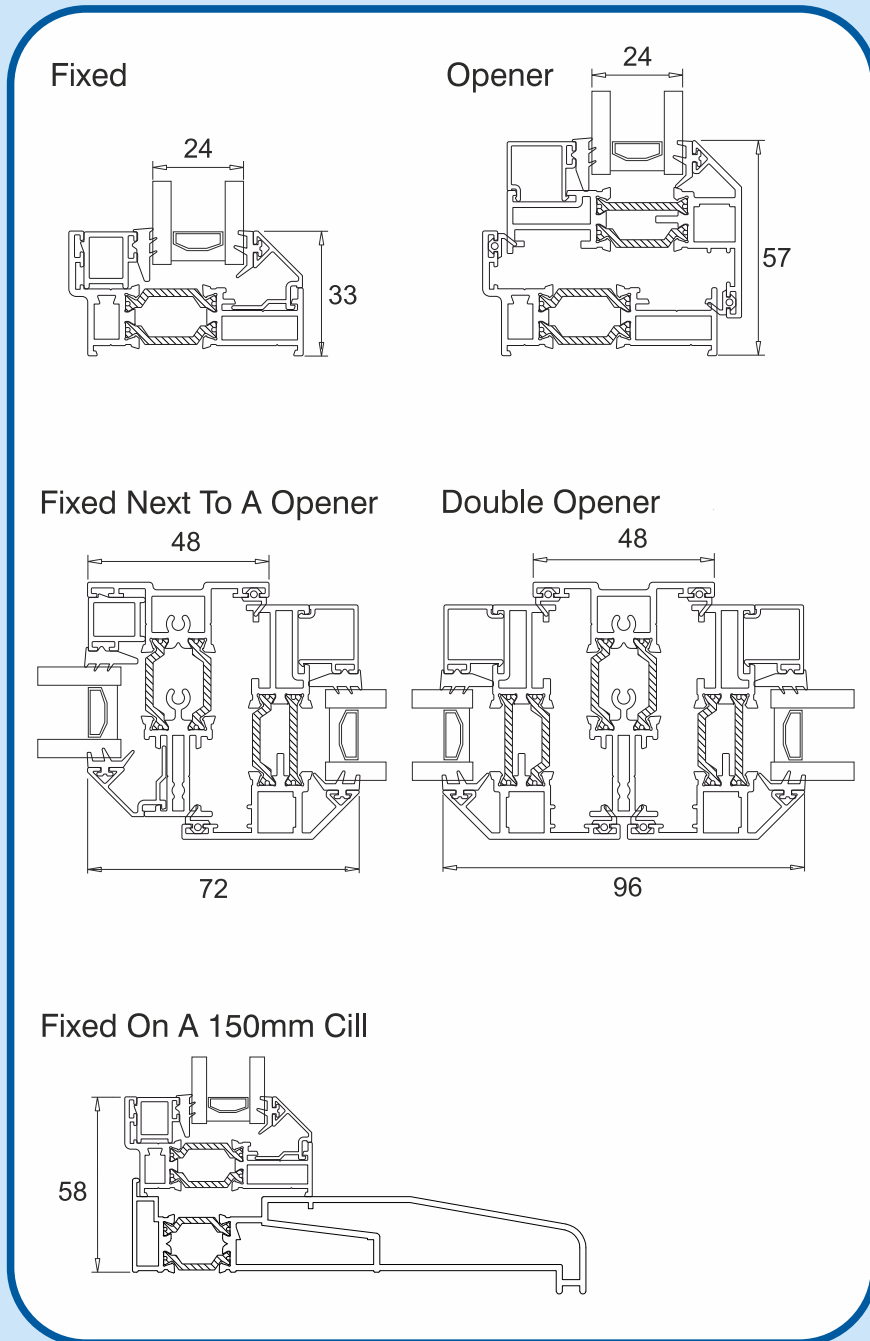
These windows can be fitted into original or new timber frames or direct to brick. The authentic design of these putty-line windows is perfect to maintain the character of your period property and are suitable for refurbishment, replacement and new build projects.

Our Putty-Line window is available with our innovative clip-on A-shaped astragal bars. The unique clip on system allows for ease of glazing and deglazing on site - without damaging the bars, glass or window.

Features

- Slim sight-lines - outerframe outside-edge only 33mm (visible frame).
- An authentic look that replicates traditional putty glazed steel windows.
- Excellent thermal values due to its superior 'Polyamide' thermal break.
- Modern multi-point Espag locking.
- Can be installed into new or existing timber frames or direct to brick.
- Equal leg frame 57mm front to back, direct fix frame 70mm front to back.
- A fraction of the cost of new steel windows.
- Fitter friendly clip-on A-shaped astragal bar system allows for ease of glazing and deglazing on site.
- Suitable for use in period properties, listed buildings, heritage and conservation areas.
- Exceeds all the specifications for replacement projects.
- Standard colours include White (gloss), Black (matt) or dual Black (matt) Out, White (gloss) In.
- Also available in over 200 single or dual RAL colours.
- Available with Black, White or Grey Gaskets (White used on inside only)

Technical



Slim And Authentic Design



Internally Glazed Vents



Authentic Putty-Line Look



Clip On & Off A-Shaped Bars

Performance

| | | | |
|-------------------|------------------|-----------------|-----------------|
| WER | Air Permeability | Water Tightness | Wind Resistance |
| B Rated | 600 Pa | 1050 Pa | 2400 Pa |

Window Hardware

The Royale Windows

**Chelton
Art Deco**



W, B, G, S,
C, BC, SS

**Art Deco
Multi Lock**



SC, BC, BS,
RTD, GM, BK

**In-Line
Multi Lock**



SC, BC, BS,
RTD, GM, BK

**Monkey Tail
Multi Lock**



SC, RTD,
GM, BK

**Optional
Peg & Stays
Curved**



SC, BC, BS,
RTD, GM, BK

Straight



SC, BC, RTD,
GM, BK

Monkey Tail



SC, RTD, GM,
BK

**Scroll
Cockspur**



SC, BC, RTD,
GM, BK

**Art Deco
Cockspur**



SC, BC, BS,
RTD, GM, BK

**In-Line
Cockspur**



SC, BC, RTD,
GM, BK

**Straight
Cockspur**



SC, BC, RTD,
GM, BK

The Heritage Stepped Windows

**Chelton
Slim-Line**



W, B, G, S,
C, BCh, SS

**Chelton
Art Deco**



W, B, G, S,
C, BCh, SS

**Chelton
Monkey Tail**



W, B

The Heritage Putty-Line Windows

**Chelton
Slim-Line**



W, B, G, S,
C, BCh, SS

**Chelton
Art Deco**



W, B, G, S,
C, BCh, SS

**Chelton
Monkey Tail**



W, B

| Colour | Code |
|----------------|------|
| Satin Chrome | SC |
| Brushed Copper | BC |
| Brushed Brass | BS |
| Dark Bronze | RTD |
| Gun Metal | GM |
| Antique Black | BK |

| Colour | Code |
|-----------------|------|
| White | W |
| Black | B |
| Gold | G |
| Silver | S |
| Chrome | C |
| Black Chrome | BCh |
| Stainless Steel | SS |

Glass Options

All of our Heritage windows and doors are available with a range of different glass as well as cosmetic additions to help create that period style.



Diamond Leads



Square Leads



Georgian Grille
Not Available on Royale Windows



Horizontal Flat Astragal Bars



Overlapped Flat Astragal Bars



Butted Flat Astragal Bars



Plain Glazing



A-Shaped Astragal Bar
Putty-Line Windows Only



Decorative Leads



Square Leads



Horizontal Astragal Bars



A-Shaped Bars

The Heritage Stepped Door



Our Heritage Stepped aluminium doors are designed as a slim, thermally efficient replacement for old Steel Doors. The aluminium profiles use the latest 'Polyamide' thermal break to achieve excellent U-values inline with the current building regulations. The slim profiles are designed to replicate the stepped classic slim look and feel of traditional steel doors.

These Heritage Stepped doors are suitable for replacement & refurbishment projects and in listed buildings and conservation areas. These doors will retain the classic look and character of your home and are designed to match our Royale Stepped or Heritage Stepped windows.

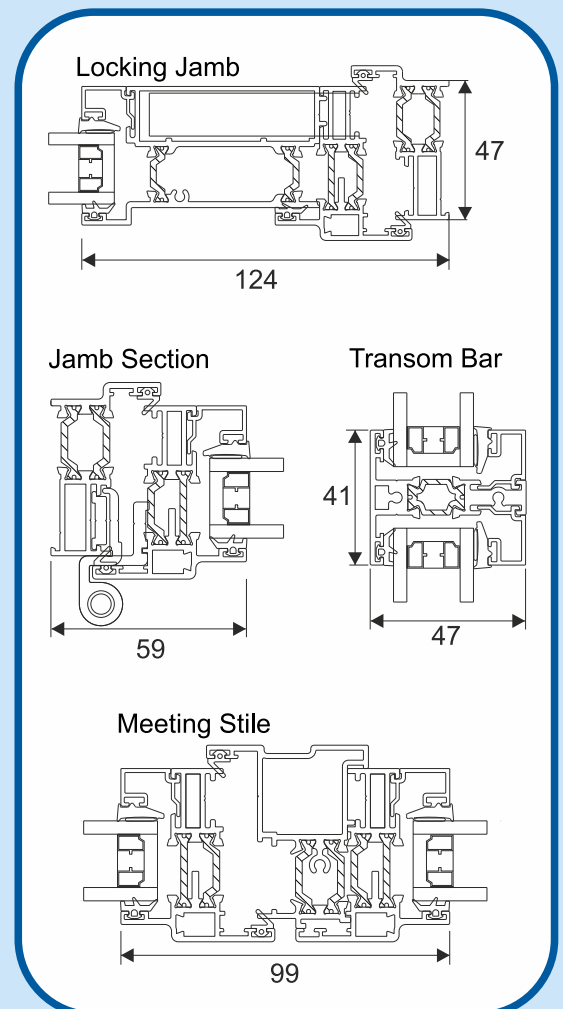
Features

- Non-rusting aluminium profiles replicate old Steel Doors.
- These match our Royale & Heritage Stepped windows.
- Available as single or French doors opening in or out.
- Suitable for refurbishment projects.
- Modern multi-point locking.
- Slim sight-lines with thermally broken aluminium profiles.
- Standard colours include White (matt), Black (matt) or dual Black (matt) Out White (matt) In.
- Also available in over 200 single or dual RAL colours.
- Range of textured paint colours available.
- Meets current building regulations.

Performance

U-Value
1.8
Standard

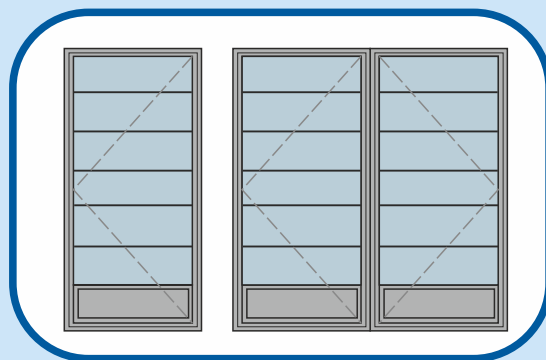
U-Value
1.6
Upgrade



Stepped Look Balcony Door



This aluminium balcony door is a larger version of our Heritage stepped windows. They use the same slim line profiles and profile related butt hinges, with a multi point lock and your choice of handles from our Chelton Range (to the inside only). These are perfect to create that authentic heritage style door with clean simple lines and can be customised by using our flat astragal bars and flat aluminium panels to create different styles and designs to suit any period property*.



Features

- These slim line doors match our Heritage windows.
- Non-rusting, thermally broken aluminium profiles.
- Available as single or double doors - open out only.
- 'Polyamide' thermal break for thermal efficiency.
- Standard colours include White (gloss), Black (matt) or dual Black (matt) Out White (gloss) In.
- Also available in over 200 single or dual RAL colours.
- Range of textured paint colours available.
- Choice of handles from our Chelton® handle range.
- Profile related traditional working butt hinges.
- Equal or Odd leg outer frames available.
- 24mm double glazed Argon filled sealed units.
- Suitable for refurbishment projects.

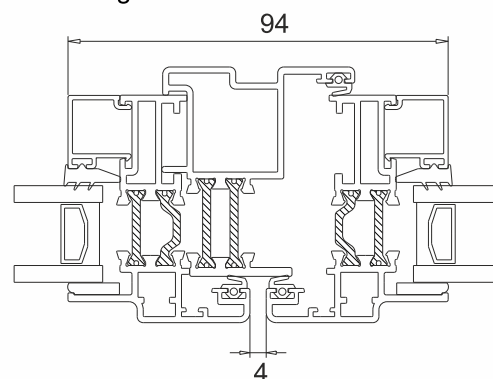
Performance

U-Value

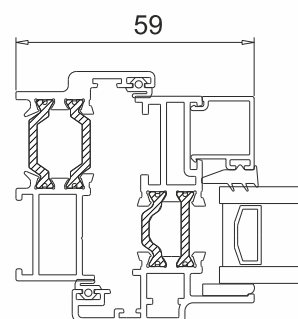
1.7

Standard

Meeting Stile



Jamb Section



*within the limitations of the product and parts used.

CLEARGLAZE

FEELS LIKE HOME

VISIT OUR BEAUTIFUL
SHOWROOM TO SEE THE REAL THING!
BA2 3LZ